



VG-HTC1488C 300W Bicolor LED Video Sky Panel Light (Mute fan)

• The broadcasting must use the no fan silent high power LED Video Panel Light. To meet this request, we have designed this new 300W mute fan led video panel light. It's can keep 300W light output for every color, and has 3000-6000K color temperature adjustment. This light is very suitable for large-scale tv station, studio, multi-function room and other video places.



Features

- The light's lighting function is controlled by DMX-512, very convenient;
- Using bead LED chips, pure color temperature, can realize 0-100% dimmer;
- The light body adopts outside frame design, the modeling is beautiful, installation very convenient, safe and reliable;
- High power output, every color can keep output 300W;
- 3000-6000K color temperature adjustment;

Technical Specification

Light Source

- LED: 1488pcs 0.5W high CRI and high brightness LED bead chips(744pcs WW+744pcs cw)
- Lifespan: 50,000hours
- Color: from warm white to cold white

Optics

- Beam angle: 120degree
- Frequency: 24K flick free light source drive system(1.8K, 5.4K, 12K optional on panel)
- Dimmer: 0~100% linear dimmer

Light Output

- CRI: Ra \geq 95, TLCI: \geq 96
- Special CRI: R9 \geq 90, R15 \geq 90
- Color temperature: 3000k-6000k adjustable

Control

- DMX channel: 1CH, 2CH, 3CH
- Control mode: DMX-512, RDM, Demo mode, Manual, Dimmer rotary knob(wireless remote control option)
- Control panel: 2.4in LCD display + 4 buttons

Power Supply

- Related voltage: AC90V-240V, 50/60Hz
- Related power: keep output 300W-280W

Construction

- Body dimension: D640*W98*H425mm
- Net weight: 12.4kg
- Shell color: black
- Housing material: aluminum alloy

Working Environment

- Working temperature: -25-40°C
- Cooling: aluminum radiator and light body
- Protection rating: IP20

Spare Parts

- Cable: 1set DMX in and DMX out signal cable, and 1set Power in and Power out power cable with plug [standard configuration]
- Light visor: 1pc light visor [optional configuration]

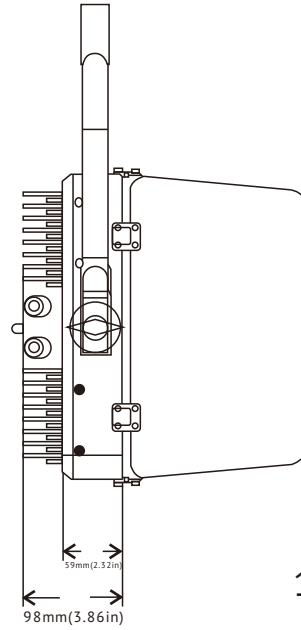
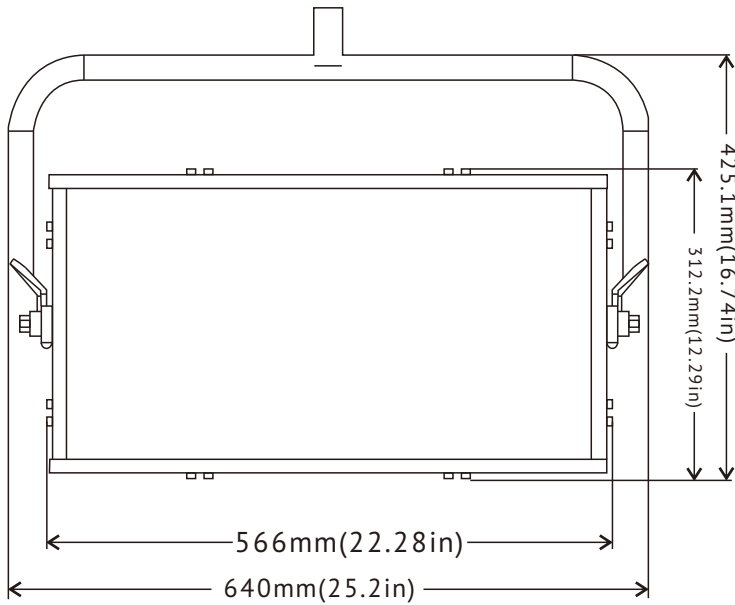
Package


- Carton board box package size: 740*530*230mm(1pc/carton)
- N.W/G.W/V.W: 8kg/10kg/18kg

Selling Maintain Spare Parts List

- Switching power supply: VG-HTC1488C-P
- LED lamp board: VG-HTC1488C-L
- Main board: VG-HTC1488C-M
- Drive board: VG-HTC1488C-D

Dimension

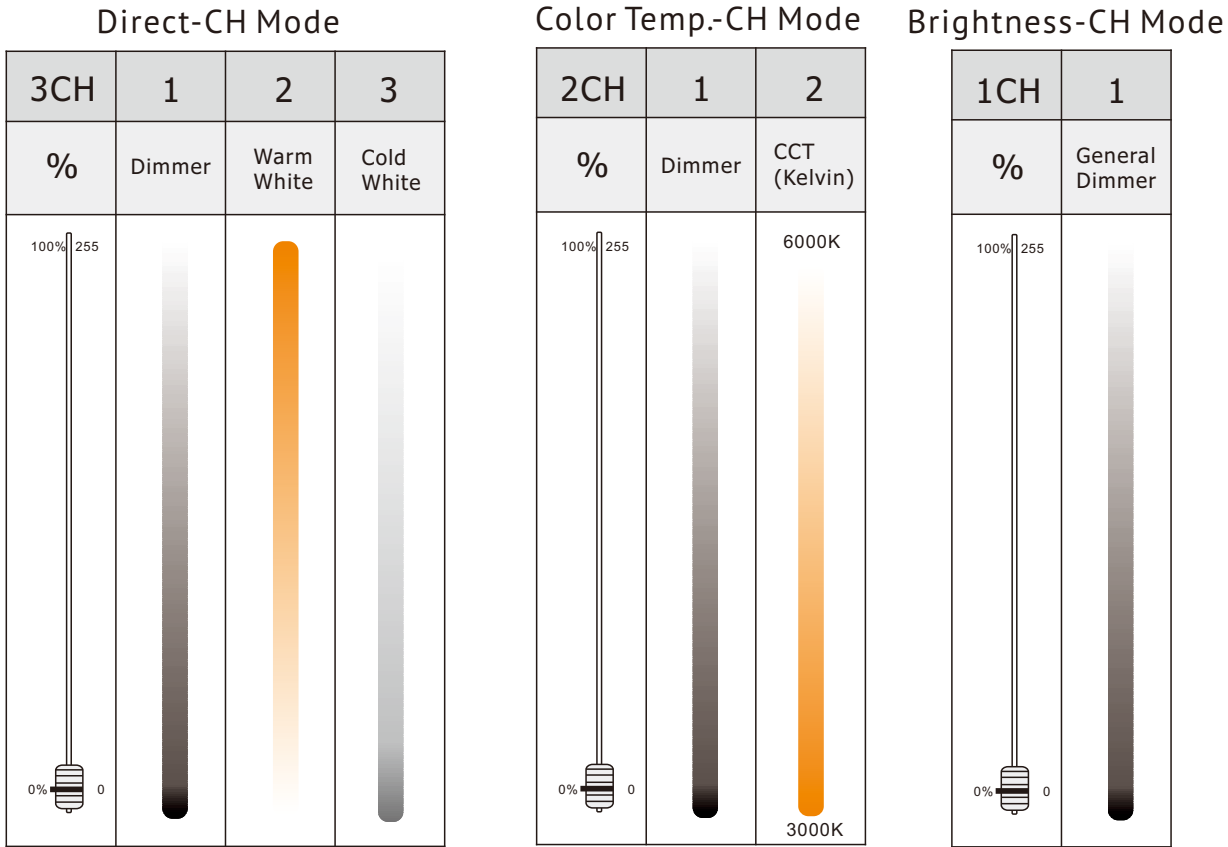


12.4kg(5.45lb) 

Effect



DMX Channel Layout



Lux chart

TLCI: 96; CRI: 97.6Ra	3200K(300W):	10576	3200	1806	1020	451	253lux
TLCI: 98.7; CRI: 97.5Ra	4500K(300W):	11856	3456	1965	1116	491	275lux
TLCI: 97.7; CRI: 97Ra	5600K(300W):	11120	3560	1990	1130	497	279lux

